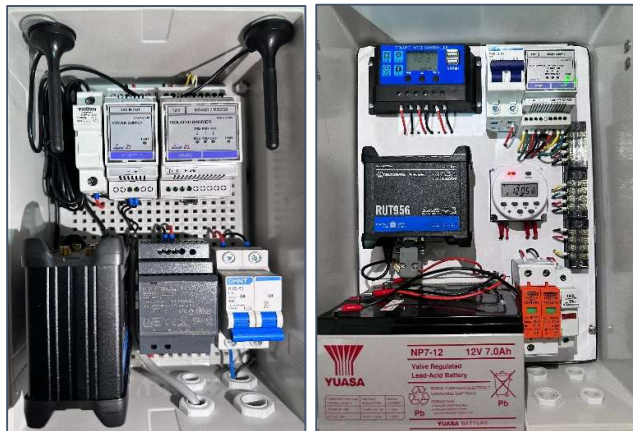


Automatic Meter Reading



AMR, which stands for Automatic Meter Reading which are used for remotely collecting data from meters. This particular device is designed for installation in areas that are free from any potential hazards.

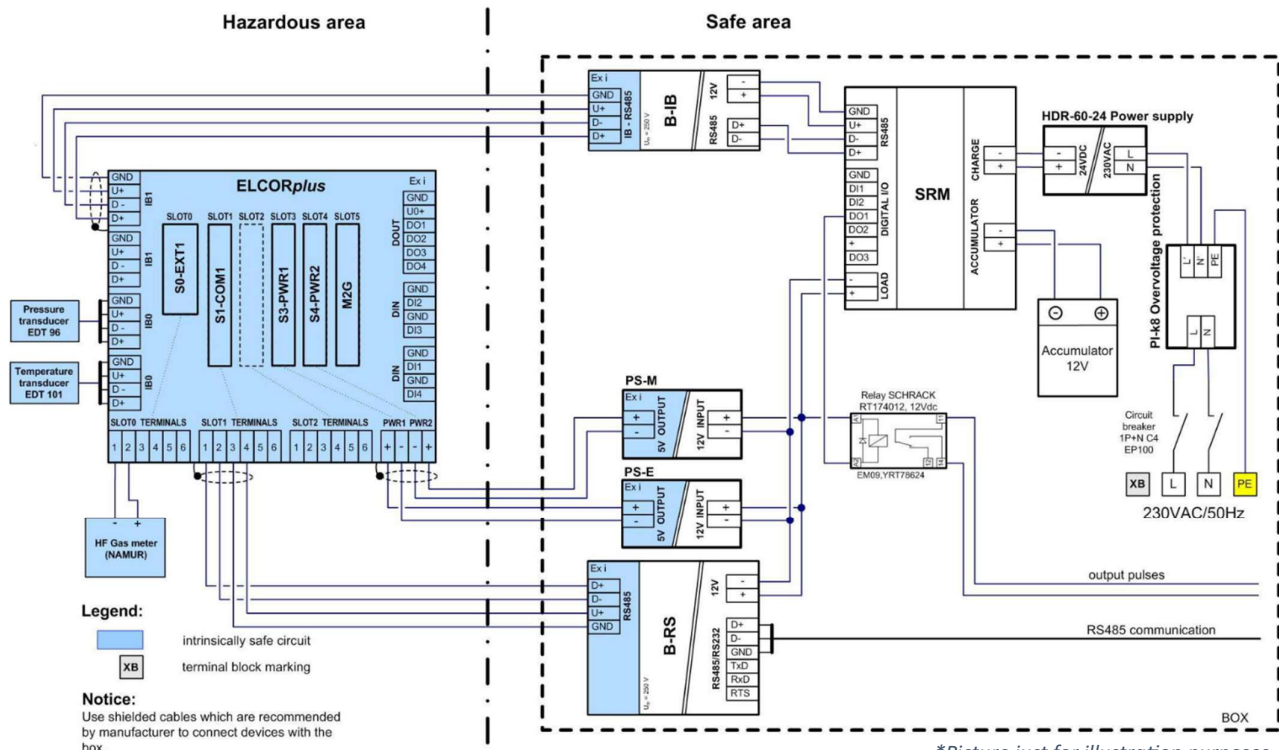
AMR serves two primary functions. Firstly, it enables the seamless communication between Compass by ELGAS (or any data collection software) and a volume converter through a wireless connection. Additionally, it provides a reliable source of power to the volume converters to enabling frequent data collection.

AMR systems have the flexibility to be powered either by an accumulator or electricity, depending on the specific preference of the customer. This adaptability factor ensures that the AMR systems can effortlessly adjust to meet the customers preference.

Basic features

- Communication interface for correctors can be adapted by exchangeable modules
- Communication in dual sim 4G, Wi-Fi and LAN
- Remote communication data via RMS*
- Power supplied from accumulator 12 V DC charged by solar panel or 220 VAC power
- Easy installation and maintenance
- Protection class IP65

*Available separately via PT. Synnex Metrodata Indonesia



*Picture just for illustration purposes